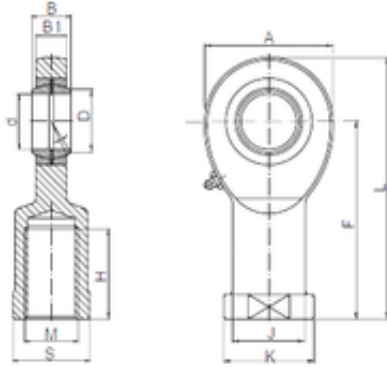




BEARING PRECISION AXLE CORP.

14 mm x 16,8 mm x 19 mm ISO SI 14 plain bearings



Bearing No. SI 14

Bore Diameter	14 mm
d	14 mm
B	19 mm
A	36 mm
B1	13,5 mm
D	16,8 mm
F	57 mm
H	25 mm
J	20 mm
K	25 mm
L	75 mm
S	22 mm
Bolt (G)	M14

SI 14 Bearing 2D drawings and 3D CAD models