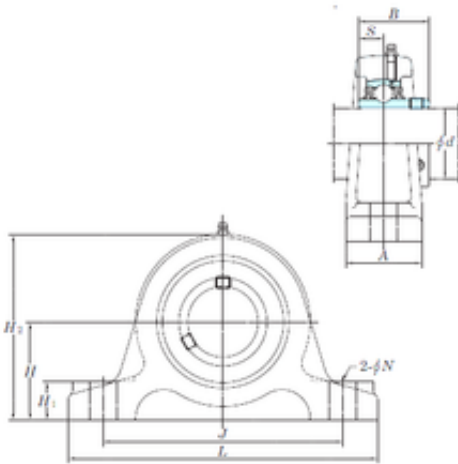




BEARING PRECISION AXLE CORP.

KOYO UCIP210-31 bearing units

Bearing No. UCIP210-31



UCIP210-31 Bearing 2D drawings and 3D CAD models

Bore Diameter	49,2125 mm
Width	51,6 mm
d	49,2125 mm
A	60 mm
B	51,6 mm
H	70 mm
H1	28 mm
H2	132 mm
J	170 mm
L	220 mm
N	19 mm
S	19 mm
Bolt (G)	M16
Weight	4,8 Kg
Basic dynamic load rating (C)	35,1 kN
Basic static load rating (C0)	23,3 kN