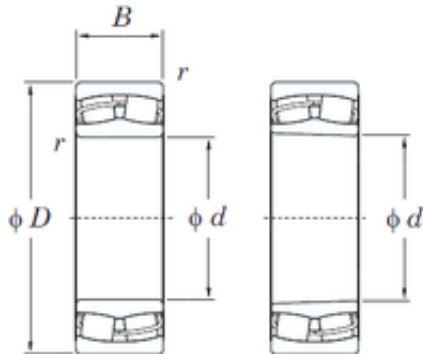




# BEARING PRECISION AXLE CORP.

110 mm x 180 mm x 69 mm KOYO 24122RH  
spherical roller bearings



Bearing No. 24122RH

Size	110x180x69 mm
Bore Diameter	110 mm
Outer Diameter	180 mm
Width	69 mm
d	110 mm
D	180 mm
B	69 mm
C	69 mm
r min.	2 mm
da min.	120 mm
Da max.	170 mm
ra max.	2 mm
Weight	6,98 Kg
Basic dynamic load rating (C)	469 kN
Basic static load rating (C0)	778 kN
(Grease) Lubrication Speed	1800 r/min
(Oil) Lubrication Speed	2400 r/min
Calculation factor (e)	0,37
Calculation factor (Y0)	1,8
Calculation factor (Y1)	1,84

24122RH Bearing 2D drawings and 3D CAD models