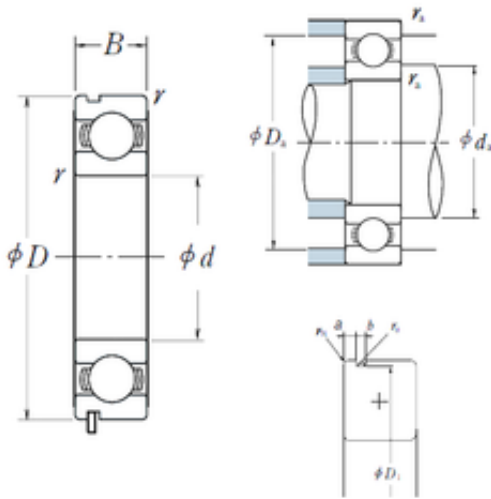




BEARING PRECISION AXLE CORP.



35 mm x 80 mm x 21 mm NSK 6307N deep groove ball bearings

Bearing No. 6307N

6307N Bearing 2D drawings and 3D CAD models

Size	35x80x21 mm
Bore Diameter	35 mm
Outer Diameter	80 mm
Width	21 mm
d	35 mm
D	80 mm
B	21 mm
C	21 mm
rn	0,5 mm
a	3,28 mm
b	1,9 mm
r min.	1,5 mm
r0 max.	0,6 mm
D1	76,81 mm
da min.	43 mm
da max	47 mm
Da max.	72 mm
ra max.	1,5 mm
Weight	0,464 Kg
Basic dynamic load rating (C)	33,5 kN
Basic static load rating (C0)	19,2 kN
(Grease) Lubrication Speed	8 500 r/min
(Oil) Lubrication Speed	10 000 r/min
Category	Single Row Ball Bearings
Inventory	0.0



BEARING PRECISION AXLE CORP.

Manufacturer Name	NSK
Minimum Buy Quantity	N/A
Weight / Kilogram	0.46
Product Group	B00308
Enclosure	Open
Precision Class	ABEC 1 ISO P0
Maximum Capacity / Filling Slot	No
Rolling Element	Ball Bearing
Snap Ring	Yes
Internal Special Features	No
Cage Material	Steel
Internal Clearance	C0-Medium
Inch - Metric	Metric
Long Description	35MM Bore; 80MM Outside Diameter; 21MM Outer Race Width; Open; Ball Bearing; ABEC 1 ISO P0; No Filling Slot; Yes Snap Ring; No Internal Special Features; C0-Medium Internal Clearance; Steel Cage
Other Features	Deep Groove With Snap Ring Groove
Category	Single Row Ball Bearing
UNSPSC	31171504
Harmonized Tariff Code	8482.10.50.68
Noun	Bearing
Keyword String	Ball
Manufacturer URL	http://www.nskamericas.com
Weight / LBS	1.0231
Outer Race Width	0.827 Inch 21 Millimeter
Outside Diameter	3.15 Inch 80 Millimeter
Inner Race Width	0 Inch 0 Millimeter



BEARING PRECISION AXLE CORP.

Bore	1.378 Inch 35 Millimeter
SRI	6.81
hidYobi	6307N
LangID	1
ro	0.6
D_	80
SREX	0.05
B_	21
da min	43
hidTable	ecat_NSRDGB
Oil rpm	10000
SRE	7.15
mass	0.464
GRS rpm	8500
ra	1.5
SRIX	0.025
D_a	72
SRIN	0
C0	19.2
fo	13.2
SREN	0
DE_	71.494
Prod_Type3	DGBB_SR_N_OT
DA_	13.494
bomp	0
Z_	8
yobi	6307N
C_conv	33500
ALPHA_	0
SDM_	58
r	1.5
KBRG	6101



BEARING PRECISION AXLE CORP.

SBRG	3
DI_	44.506