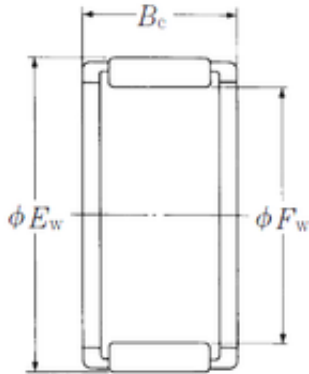




# BEARING PRECISION AXLE CORP.

## NSK FWF-121610-E needle roller bearings



Bearing No. FWF-121610-E

Bore Diameter	12 mm
Outer Diameter	16 mm
Fw	12 mm
Ew	16 mm
Bc	10 mm
Weight	0,004 Kg
Basic dynamic load rating (C)	6,1 kN
hidYobi	FWF-121610-E
LangID	1
Prod_Type3	NRB_CNRA_FL
d	12
D_	16
DA_	2
Z_	12
C	6.1
B_	10
hidTable	ecat_NSCRA
yobi	FWF-121610-E
mass	4
SDM_	14
KBRG	813
C0	6.5
SLR	7.8

FWF-121610-E Bearing 2D drawings and 3D CAD models