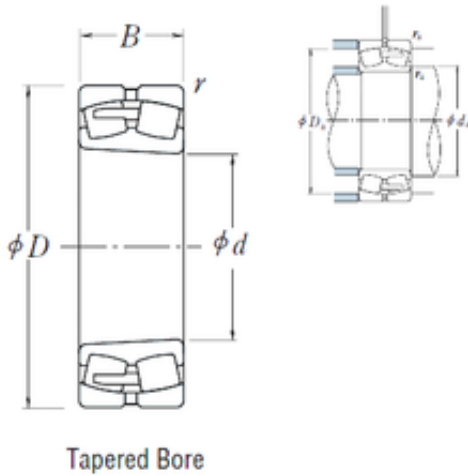




# BEARING PRECISION AXLE CORP.

500 mm x 920 mm x 336 mm NSK  
232/500CAKE4 spherical roller bearings

Bearing No. 232/500CAKE4



232/500CAKE4 Bearing 2D drawings and 3D CAD models

Size	500x920x336 mm
Bore Diameter	500 mm
Outer Diameter	920 mm
Width	336 mm
d	500 mm
D	920 mm
B	336 mm
C	336 mm
r min.	7,5 mm
da min.	536 mm
Da min	773 mm
Da max.	884 mm
ra max.	6 mm
Weight	969 Kg
Basic dynamic load rating (C)	9000 kN
Basic static load rating (C0)	16600 kN
(Grease) Lubrication Speed	260 r/min
(Oil) Lubrication Speed	320 r/min
Calculation factor (e)	0,38
Calculation factor (Y0)	1,8
Calculation factor (Y2)	2,7