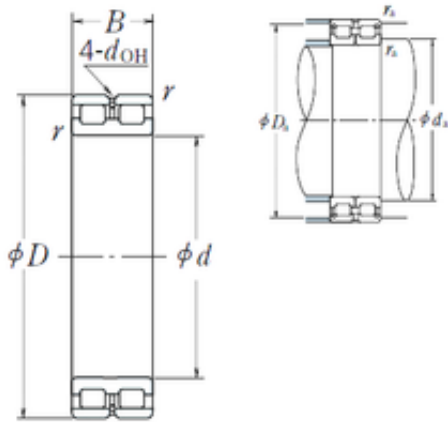




BEARING PRECISION AXLE CORP.



110 mm x 140 mm x 30 mm NSK RSF-4822E4 cylindrical roller bearings

Bearing No. RSF-4822E4

RSF-4822E4 Bearing 2D drawings and 3D CAD models

Size	110x140x30 mm
Bore Diameter	110 mm
Outer Diameter	140 mm
Width	30 mm
d	110 mm
D	140 mm
B	30 mm
C	30 mm
r min.	1 mm
da min.	115 mm
Da max.	135 mm
ra max.	1 mm
Weight	1,09 Kg
Basic dynamic load rating (C)	114 kN
Basic static load rating (C0)	260 kN
(Grease) Lubrication Speed	950 r/min
hidYobi	RSF-4822E4
LangID	1
D_	140
B_	30
hidTable	ecat_NSCLDRS
Oil rpm	950
mass	1.09
GRS rpm	1900
ra	1



BEARING PRECISION AXLE CORP.

da_min	115
C0	260
DE_	131.1
Prod_Type3	CRB_FRFS_OT_FREE
DA_	6.5
Z_	60
yobi	RSF-4822E4
da_max	135
SDM_	124.6
r	1
KBRG	4210
disp	2
DI_	118.1
doh	3