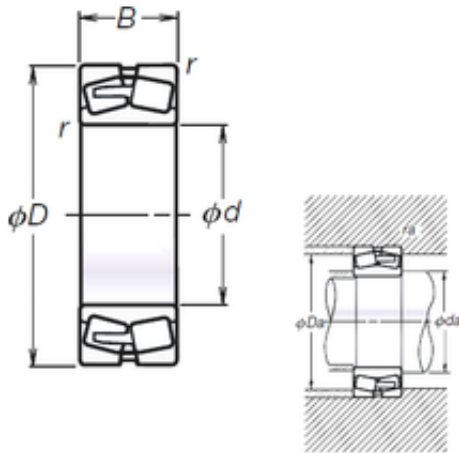




## BEARING PRECISION AXLE CORP.



280 mm x 420 mm x 106 mm NSK  
TL23056CAE4 spherical roller bearings

Bearing No. TL23056CAE4

Size	280x420x106 mm
Bore Diameter	280 mm
Outer Diameter	420 mm
Width	106 mm
d	280 mm
D	420 mm
B	106 mm
C	106 mm
r min.	4 mm
da min.	298 mm
Da min	402 mm
Da max.	377 mm
ra max.	3 mm
Weight	50,5 Kg
Basic dynamic load rating (C)	1540 kN
Basic static load rating (C0)	2950 kN
(Grease) Lubrication Speed	710 r/min
(Oil) Lubrication Speed	900 r/min
Calculation factor (e)	0,24
Calculation factor (Y0)	2,7
Calculation factor (Y2)	4,2

TL23056CAE4 Bearing 2D drawings and 3D CAD models