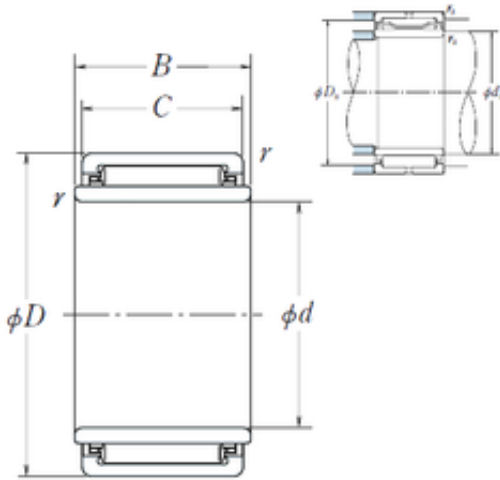




BEARING PRECISION AXLE CORP.



LM3230 Bearing 2D drawings and 3D CAD models

28 mm x 42 mm x 30,2 mm NSK LM3230
needle roller bearings

Bearing No. LM3230

Size	28x42x30.2 mm
Bore Diameter	28 mm
Outer Diameter	42 mm
Width	30,2 mm
d	28 mm
Fw	32 mm
D	42 mm
B	30,2 mm
C	30 mm
r min.	0,5 mm
da min.	32 mm
Da max.	38 mm
ra max.	0,5 mm
Weight	0,14 Kg
Basic dynamic load rating (C)	36,5 kN
Basic static load rating (C0)	59 kN
(Grease) Lubrication Speed	6700 r/min
hidYobi	LM3230
LangID	1
D_	42
B_	30.2
hidTable	ecat_NSMRNR
GRS rpm	6700
ra	0.5
da_min	32



BEARING PRECISION AXLE CORP.

d2	28
C0	59
C1_	30
DE_	39
SLR	23.8
Prod_Type3	NRB_S_LM
DA_	3.5
Z_	19
SI	32
yobi	LM3230
da_max	38
OIL rpm	11000
SDM_	35.5
r	0.5
KBRG	8352
mass2	0.14
B1	30.2