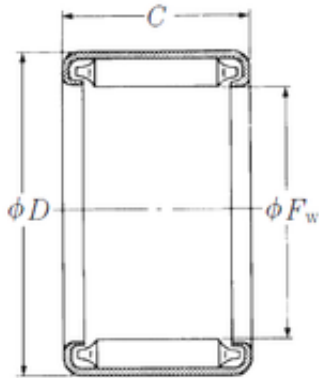




# BEARING PRECISION AXLE CORP.

## NSK BH-1110 needle roller bearings



Bearing No. BH-1110

Size	17.462x23.812x15.88 mm
Bore Diameter	17,462 mm
Outer Diameter	23,812 mm
Width	15,88 mm
Fw	17,462 mm
D	23,812 mm
C	15,88 mm
Weight	0,02 Kg
Basic dynamic load rating (C)	16,6 kN

BH-1110 Bearing 2D drawings and 3D CAD models