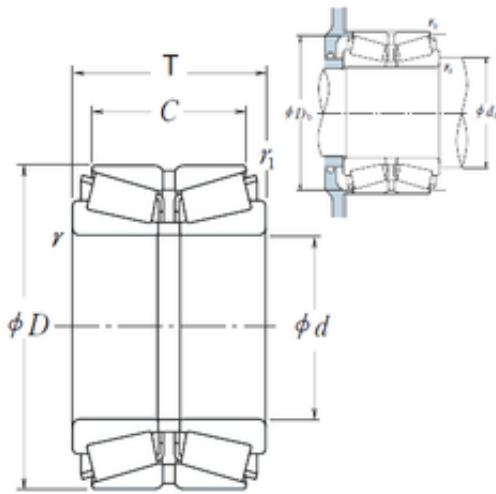




# BEARING PRECISION AXLE CORP.



HR60KBE042+L Bearing 2D drawings and 3D CAD models

## NSK HR60KBE042+L tapered roller bearings

Bearing No. HR60KBE042+L

Size	60x110x53 mm
Bore Diameter	60 mm
Outer Diameter	110 mm
Width	53 mm
d	60 mm
D	110 mm
T	53 mm
C	43,5 mm
r min.	2 mm
r1 min.	0,6 mm
da min.	72 mm
Db min.	105 mm
ra max.	2 mm
rb max.	0,6 mm
Weight	2,03 Kg
Basic dynamic load rating (C)	178 kN
Basic static load rating (C0)	246 kN
(Grease) Lubrication Speed	2700 r/min
(Oil) Lubrication Speed	3600 r/min
Calculation factor (e)	0,4
Calculation factor (Y0)	1,6
Calculation factor (Y2)	2,5