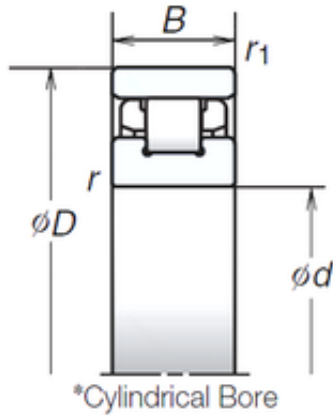




## BEARING PRECISION AXLE CORP.

85 mm x 130 mm x 22 mm NSK N1017RXTP  
cylindrical roller bearings



Bearing No. N1017RXTP

Size	85x118x22 mm
Bore Diameter	85 mm
Outer Diameter	118 mm
Width	22 mm
d	85 mm
D	130 mm
E	118 mm
B	22 mm
C	22 mm
r min.	1,1 mm
r1 min.	1 mm
Weight	0,943 Kg
Basic dynamic load rating (C)	65 kN
Basic static load rating (C0)	86 kN
(Grease) Lubrication Speed	12 000 r/min

N1017RXTP Bearing 2D drawings and 3D CAD models