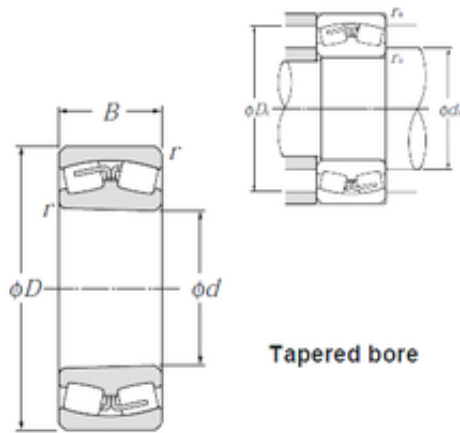




BEARING PRECISION AXLE CORP.

340 mm x 620 mm x 224 mm NTN 23268BK
spherical roller bearings



Bearing No. 23268BK

| | |
|-------------------------------|----------------|
| Size | 340x620x224 mm |
| Bore Diameter | 340 mm |
| Outer Diameter | 620 mm |
| Width | 224 mm |
| d | 340 mm |
| D | 620 mm |
| B | 224 mm |
| C | 224 mm |
| r min. | 6 mm |
| da min. | 368 mm |
| Da max. | 592 mm |
| ra max. | 5 mm |
| Weight | 291 Kg |
| Basic dynamic load rating (C) | 4 450 kN |
| Basic static load rating (C0) | 8 000 kN |
| (Grease) Lubrication Speed | 490 r/min |
| (Oil) Lubrication Speed | 630 r/min |
| Calculation factor (e) | 0,37 |
| Calculation factor (Y0) | 1,8 |
| Calculation factor (Y1) | 1,84 |

23268BK Bearing 2D drawings and 3D CAD models