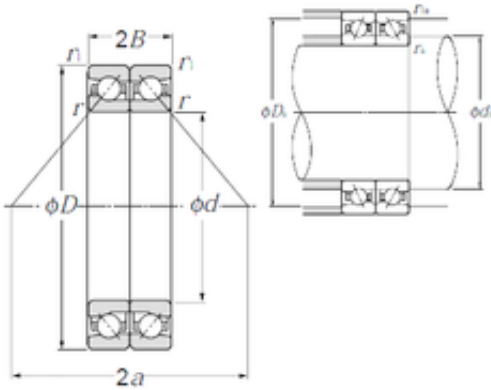




# BEARING PRECISION AXLE CORP.

120 mm x 180 mm x 27 mm NTN HTA024DB  
angular contact ball bearings



Bearing No. HTA024DB

Size	120x180x27 mm
Bore Diameter	120 mm
Outer Diameter	180 mm
Width	27 mm
d	120 mm
D	180 mm
B	27 mm
C	27 mm
ra1 max.	1 mm
r min.	2 mm
r1 min.	1 mm
2B	54 mm
da min.	134 mm
Da max.	172,5 mm
ra max.	2 mm
Weight	4,5 Kg
Basic dynamic load rating (C)	89 kN
Basic static load rating (C0)	228 kN
(Grease) Lubrication Speed	3 700 r/min

HTA024DB Bearing 2D drawings and 3D CAD models