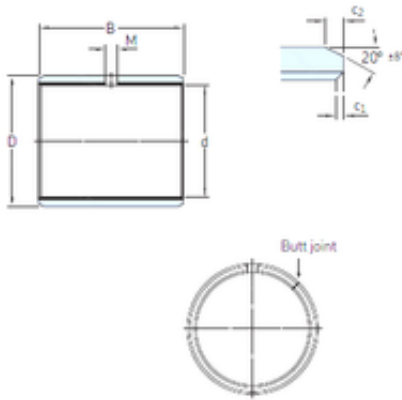




BEARING PRECISION AXLE CORP.



6,35 mm x 7,938 mm x 6,35 mm SKF PCZ 0404 E plain bearings

Bearing No. PCZ 0404 E

PCZ 0404 E Bearing 2D drawings and 3D CAD models

Size	6.35x7.938x6.35 mm
Bore Diameter	6,35 mm
Outer Diameter	7,938 mm
Width	6,35 mm
d	6,35 mm
D	7,938 mm
B	6,35 mm
c1 min	0,1 mm
c2 min	0,2 mm
M	– mm
Weight	0,00081 Kg
Basic dynamic load rating (C)	3,25 kN
c ₁ min.	0.1 mm
c ₁ max.	0.4 mm
c ₂ min.	0.2 mm
c ₂ max.	0.8 mm
± 8	20 °
Shaft diameter range min.	6.302 mm
Shaft diameter range max.	6.325 mm
Housing bore range min.	7.93 mm
Housing bore range max.	7.945 mm
Basic dynamic load rating - radial direction C	3.25 kN
Basic static load rating - radial direction C ₀	10 kN



BEARING PRECISION AXLE CORP.

Specific dynamic load factor K	80 N/mm ²
Specific static load factor K ₀	250 N/mm ²
Factor depending on material and bearing type K _M	480
Permissible sliding velocity v min.	0 m/s
Permissible sliding velocity v max.	2 m/s
Coefficient of friction μ min.	0.03
Coefficient of friction μ max.	0.25
Mass bushing	0.00081 kg