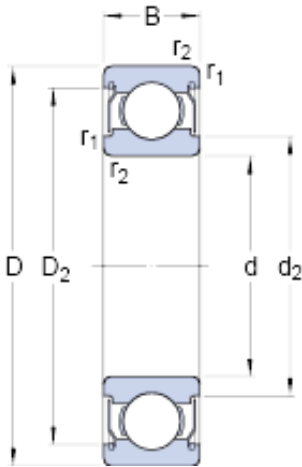




BEARING PRECISION AXLE CORP.



2 mm x 7 mm x 3 mm SKF W 602 X-2ZS deep groove ball bearings

Bearing No. W 602 X-2ZS

W 602 X-2ZS Bearing 2D drawings and 3D CAD models

Size	7x2x3 mm
Bore Diameter	7 mm
Outer Diameter	2 mm
Width	3 mm
d	2 mm
D	7 mm
B	3 mm
d ₂	3.15 mm
D ₂	6.2 mm
r _{1,2} - min.	0.15 mm
d _a - min.	3 mm
d _a - max.	3.1 mm
D _a - max.	6.2 mm
r _a - max.	0.15 mm
Basic dynamic load rating - C	0.221 kN
Basic static load rating - C ₀	0.067 kN
Fatigue load limit - P _u	0.003 kN
Reference speed	160000 r/min
Limiting speed	80000 r/min
Calculation factor - k _r	0.03
Calculation factor - f ₀	6.6
d ₂	3.15 mm
D ₂	6.2 mm
r _{1,2} min.	0.15 mm



BEARING PRECISION AXLE CORP.

d_a min.	3 mm
d_a max.	3.1 mm
D_a max.	6.2 mm
r_a max.	0.15 mm
Basic dynamic load rating C	0.221 kN
Basic static load rating C_0	0.067 kN
Fatigue load limit P_u	0.003 kN
Calculation factor k_r	0.03
Calculation factor f_0	6.6
Mass bearing	0.00051 kg