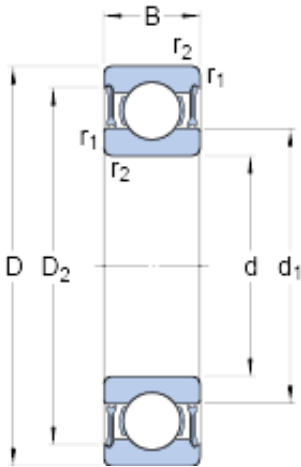




BEARING PRECISION AXLE CORP.



25 mm x 42 mm x 9 mm SKF W 61905-2RZ
deep groove ball bearings

Bearing No. W 61905-2RZ

W 61905-2RZ Bearing 2D drawings and 3D CAD models

| | |
|---|-------------|
| Size | 42x25x9 mm |
| Bore Diameter | 42 mm |
| Outer Diameter | 25 mm |
| Width | 9 mm |
| d | 25 mm |
| D | 42 mm |
| B | 9 mm |
| d ₁ | 30.9 mm |
| D ₂ | 39.45 mm |
| r _{1,2} - min. | 0.3 mm |
| D _a - max. | 40 mm |
| r _a - max. | 0.3 mm |
| Basic dynamic load rating - C | 6 kN |
| Basic static load rating - C ₀ | 4.5 kN |
| Fatigue load limit - P _u | 0.193 kN |
| Reference speed | 34000 r/min |
| Limiting speed | 17000 r/min |
| Calculation factor - k _r | 0.025 |
| Calculation factor - f ₀ | 15.4 |
| d ₁ | 30.9 mm |
| D ₂ | 39.45 mm |
| r _{1,2} min. | 0.3 mm |
| d _a min. | 27 mm |
| d _a max. | 30.5 mm |



BEARING PRECISION AXLE CORP.

| | |
|--------------------------------|----------|
| D_a max. | 40 mm |
| r_a max. | 0.3 mm |
| Basic dynamic load rating C | 6.05 kN |
| Basic static load rating C_0 | 4.5 kN |
| Fatigue load limit P_u | 0.193 kN |
| Calculation factor k_r | 0.025 |
| Calculation factor f_0 | 15.4 |
| Mass bearing | 0.04 kg |