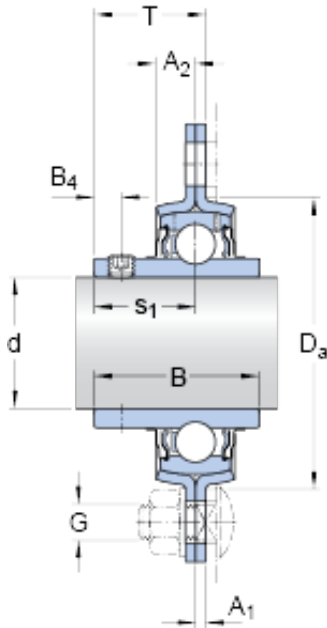




# BEARING PRECISION AXLE CORP.



PF 5/8 TF Bearing 2D drawings and 3D CAD models

## SKF PF 5/8 TF bearing units

Bearing No. PF 5/8 TF

Size	15.875x2x7 mm
Bore Diameter	15,875 mm
Outer Diameter	2 mm
Width	7 mm
d	15.875 mm
A <sub>1</sub>	2 mm
A <sub>2</sub>	7 mm
B	27.4 mm
B <sub>4</sub>	4 mm
D <sub>a</sub> - min.	44 mm
J	63 mm
H	81 mm
H	7.1 mm
s <sub>1</sub>	15.9 mm
T	17.9 mm
Basic dynamic load rating - C	9.6 kN
Basic static load rating - C <sub>0</sub>	4.8 kN
Fatigue load limit - P <sub>u</sub>	0.2 kN
Permissible radial housing load	max. 2.5 kN
Weight	0.24 kg
Thread - G <sub>2</sub> - #10-32 UNF	#1032 UNF
Hexagonal key size for grub screw - H	2.381 mm
Category	Bearings



## BEARING PRECISION AXLE CORP.

Inventory	0.0
Manufacturer Name	SKF
Minimum Buy Quantity	N/A
Weight / Kilogram	0
Product Group	M06110
Housing material	Pressed steel
A <sub>1</sub>	2 mm
A <sub>2</sub>	7 mm
B <sub>4</sub>	4 mm
D <sub>a</sub> min.	44 mm
N	7.1 mm
s <sub>1</sub>	15.9 mm
Basic dynamic load rating C	9.56 kN
Basic static load rating C <sub>0</sub>	4.75 kN
Fatigue load limit P <sub>u</sub>	0.2 kN
Permissible radial housing load max.	2.5 kN
Mass unit	0.24 kg
Thread grub screw G <sub>2</sub>	#10-32 UNF
Hexagonal key size for grub screw N	2.381 mm
Recommended tightening torque for grub screw	4 N · m
Recommended diameter for attachment bolts, mm G	6 mm
Recommended diameter for attachment bolts, inch G	0.25 in
Bearing	YAR 203-010-2F
Housing	PF 40