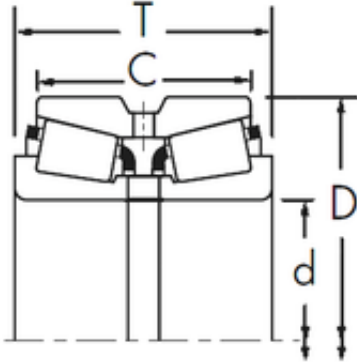




BEARING PRECISION AXLE CORP.

Timken L476549/L476510CD+L476549XA
tapered roller bearings



Bearing No. L476549/L476510CD+L476549XA

Size	549.275x692.15x174.625 mm
Bore Diameter	549,275 mm
Outer Diameter	692,15 mm
Width	174,625 mm
d	549,275 mm
D	692,15 mm
T	174,625 mm
C	136,525 mm
R	6,4 mm
r	1,5 mm

L476549/L476510CD+L476549XA Bearing 2D drawings
and 3D CAD models