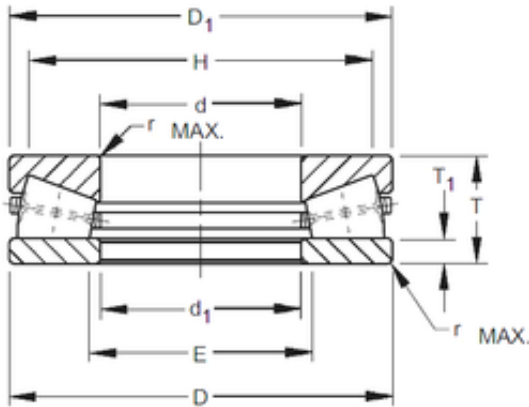




BEARING PRECISION AXLE CORP.

Timken I-2077-C thrust roller bearings

Bearing No. I-2077-C



I-2077-C Bearing 2D drawings and 3D CAD models

Size	253.975x508x95.25 mm
Bore Diameter	253,975 mm
Outer Diameter	508 mm
Width	95,25 mm
d	253,975 mm
D	508 mm
T	95,25 mm
r max	6,4 mm
T1	19,05 mm
d1	256,38 mm
D1	507,19 mm
E	282,6 mm
H	468,3 mm