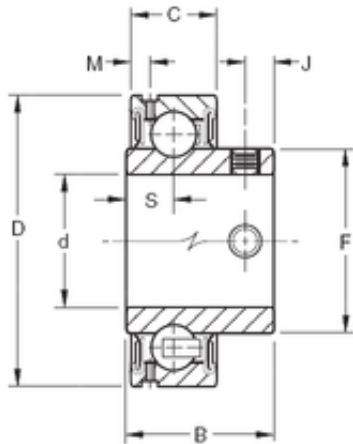




BEARING PRECISION AXLE CORP.



19.05 mm x 47 mm x 27 mm Timken
GYA012RR deep groove ball bearings

Bearing No. GYA012RR

Size	19.05x47x27 mm
Bore Diameter	19.05 mm
Outer Diameter	47 mm
Width	27 mm
d	19.05 mm
D	47 mm
B	27 mm
C	14 mm
F	29 mm
J	6,02 mm
M	3,05 mm
S	8,86 mm
Thread (G)	M6X1
Weight	0,14 Kg
Basic dynamic load rating (C)	14,3 kN

GYA012RR Bearing 2D drawings and 3D CAD models