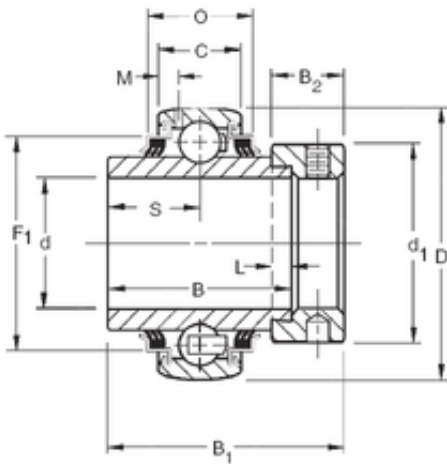




# BEARING PRECISION AXLE CORP.

46,0375 mm x 90 mm x 49,21 mm Timken  
G1113KPPB3 deep groove ball bearings



Bearing No. G1113KPPB3

Size	46.0375x90x49.21 mm
Bore Diameter	46,0375 mm
Outer Diameter	90 mm
Width	49,21 mm
d	46,0375 mm
D	90 mm
B	49,21 mm
C	23 mm
O	27,51 mm
d1	69,9 mm
B1	62,7 mm
B2	18,3 mm
L	4,8 mm
M	4,7 mm
S	24,6 mm
F1	77,7 mm
Weight	1,116 Kg
Basic dynamic load rating (C)	39,2 kN

G1113KPPB3 Bearing 2D drawings and 3D CAD models